



FEATURES

- Mobile all stainless steel construction frame
- All stainless steel 2" (50 mm) piston pump
- 5 foot flexible outlet hose with end "U" pipe to hook onto the rim of a hopper - 1.5 inch [38 mm] diameter
- Flow control to adjust pump speed for different types of products
- Product photo sensor allows you to automatically keep your hopper filled to maintain a consistent product level in the depositor hopper



iPUMP

The Small, Economical Hopper Topper

Keep your hopper full and production running with the **iPump** Transfer Pump. With our gentle pumping technology, your product is quickly transferred without sacrificing quality.

BAKERY ▶

FOOD ▶

KEY BENEFITS

- Continuous production
- No heavy lifting required
- Simulates hand scooping – gentle on your products
- Draws directly from mixing bowl or pail
- Tool free disassembly for quick and easy clean up
- Versatile — fits most pails and mixing bowls from 60 to 140 quarts
- Unique tilt mechanism allows for easy changing of mixing bowls.
- Small foot print and low height clearance
- Low air consumption





A perfect fit with the MultiStation



Optional Photo Sensor monitors product level in the hopper and controls the pump

Specifications



SPEED

Up to 5.3 US gallons (20 L) per minute.



PARTICLE SIZE

Smooth products
Batters, fillings, custards, toppings, icings etc. with soft particulates up to 1/4" (6 mm).



ELECTRICAL

Only required for optional hopper level sensor: 110 – 220 VAC, Single Phase, 1 A, 50-60 Hz



AIR

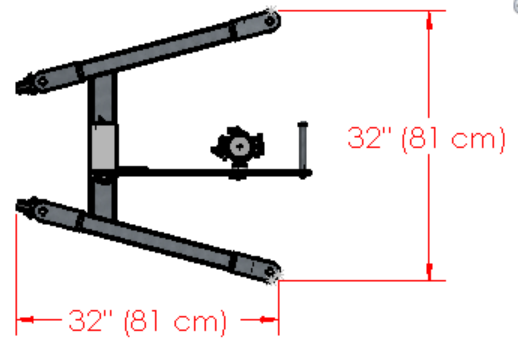
3 CFM @ 80 psi
(85 L/min @ 5.5 Bar)



SHIPPING INFO

Dimensions: L x W x H
42 x 38 x 75" (105 x 55 x 18 cm)

Weight: 250 lbs (113 kg)



NOTE: Equipment quoted is designed to run at the quoted speed and is dependent on operator efficiency, skill, deposit size and product consistency.

Unifiller North America & Int.
Head Office Canada
(604) 940-2233
info@unifiller.com
www.unifiller.com

Unifiller Systems UK Ltd.
United Kingdom
01933 676005
customeruk@unifiller.com
www.unifiller.com

Unifiller Asia Pacific
Australia
+61 408 243 553
wilhelmh@unifiller.com
www.unifiller.com

Unifiller Japan
Osaka, Japan
072 943 3418
tetsus@unifiller.co.jp
www.unifiller.co.jp

Unifiller Europe GmbH
Germany
+49 7621 583 6310
info@unifiller-europe.com
www.unifiller-europe.com